

# LANCASTER



**Three Piece Sectional  
168W**



**Two Piece Sectional  
144W**

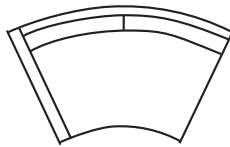
## CARMEL CURVED SECTIONAL 8690 CRV

H31/33 AH24 AW2 SD24 SH19

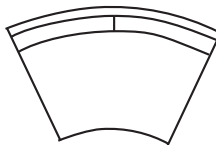
Base Depth 40" • Curved Unit Overall Depth 44"

### Carmel Curved Sectional Components

84"W LAF Open End  
46"W at Front Corners



80"W Armless  
42"W at Front Corners



**8690 CRV Curved units cannot be combined with 8690 Straight Back standard sectional units**

Carmel Curved standard bench seats • 2"H x 2"W x 36"D Blade Style Legs

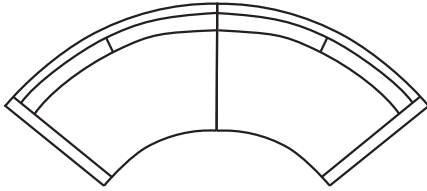
Ask about optional cushion configurations and custom sectionals

Call for Pricing and Yardage Estimates

ALL UNITS AVAILABLE IN LEFT OR RIGHT FACING

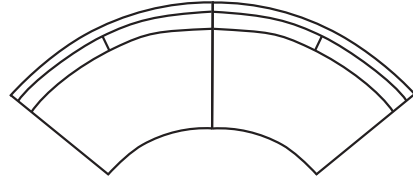
# CARMEL CURVED SECTIONALS

**LAF & RAF 1-Arm 84" Units**



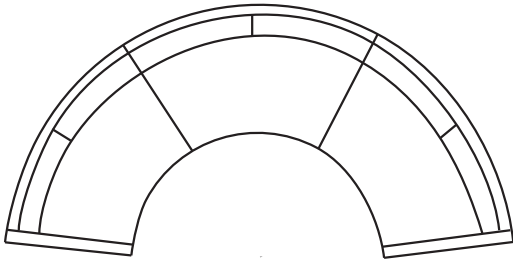
144 x 64

**LSF & RSF without Arms**



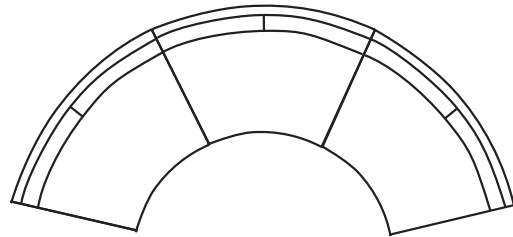
142 x 64

**LAF & RAF 1-Arm 84" Units • One Armless 80" Unit**



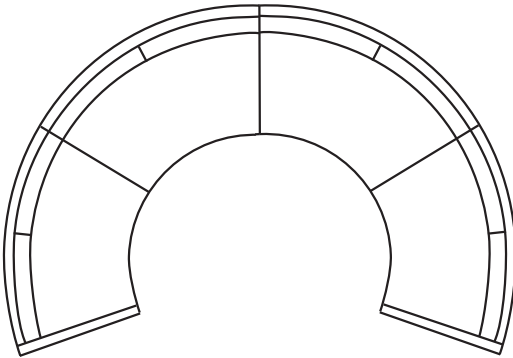
168 x 84

**Three Armless 80" Units**



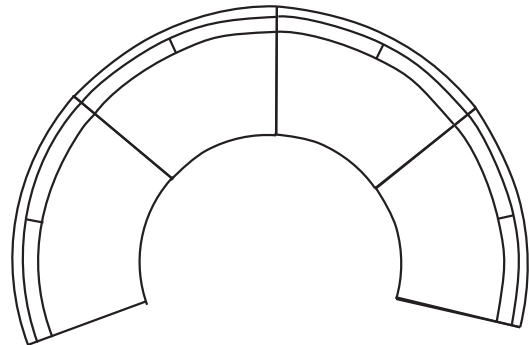
168 x 84

**LAF & RAF 1-Arm 84" Units • Two Armless 80" Units**



168 x 120

**Four Armless 80" Units**



168 x 120

Overall dimensions for curved sectionals are estimated based on per unit sizes

ALL UNITS AVAILABLE IN LEFT OR RIGHT FACING